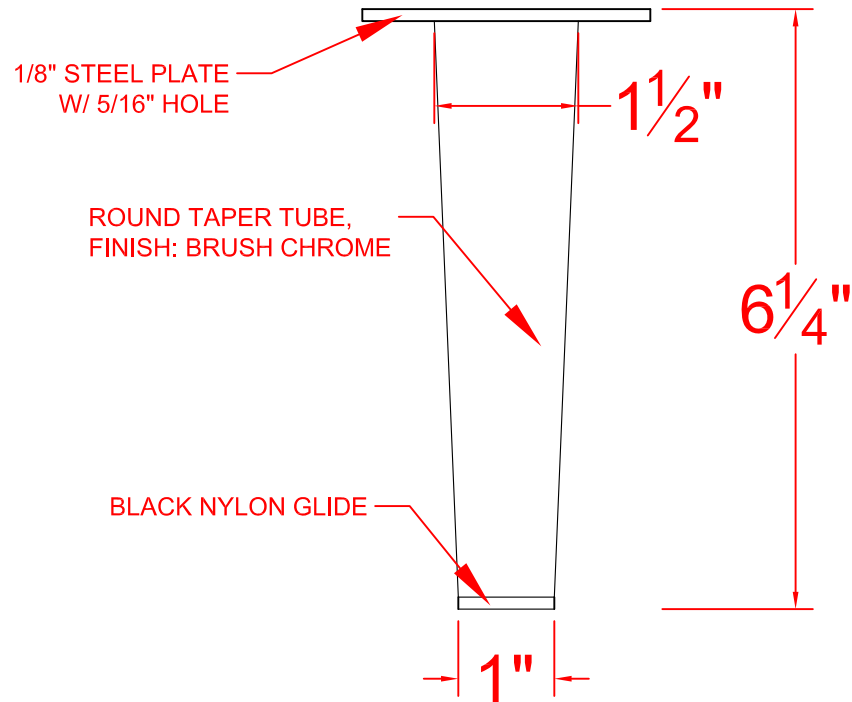
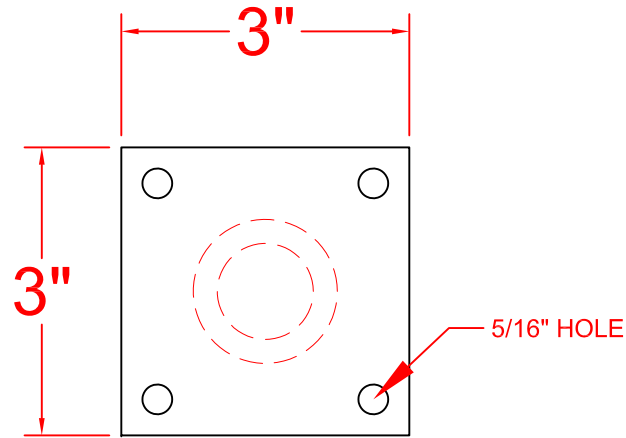


FINISH: BRUSH CHROME



PROJECT NAME

ELITE ITEM #: ML448

QUANTITY:

SPECIFICATIONS:
Size: 3"W x 3"D x 6-1/4"H

NOTES:
-MATERIAL: METAL
-FINISH: BRUSH CHROME

DRAWING BY: JH
DATE: 10-23-23
SCALE: 6" = 1'-0"
SHEET: 1 OF 1

DIMENSIONS FOR FINISH
PRODUCT TOLERANCES +/- 1/16"
MANUFACTURER CAN CHANGE
ITEM TO REINFORCE
FRAME STRUCTURE.